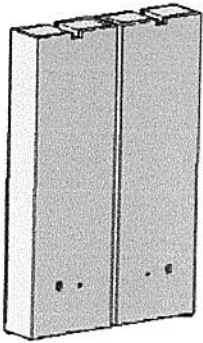


KABA BAR TABLE

ASSEMBLY INSTRUCTION



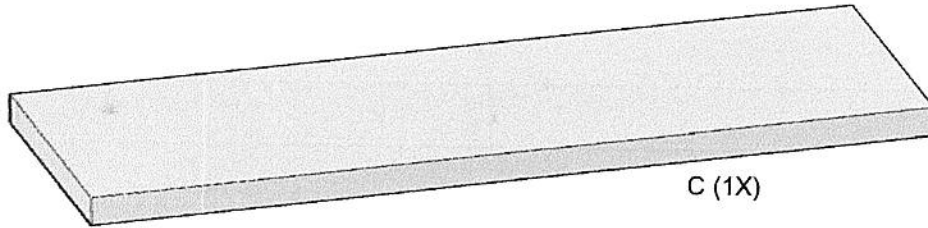
PART LIST



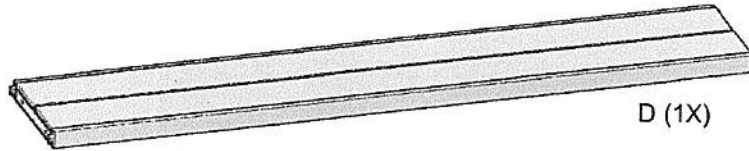
A (2X)



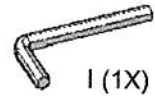
B (2X)



C (1X)



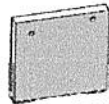
D (1X)



I (1X)



J (1X)



E (1X)



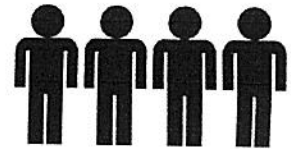
F (6X)



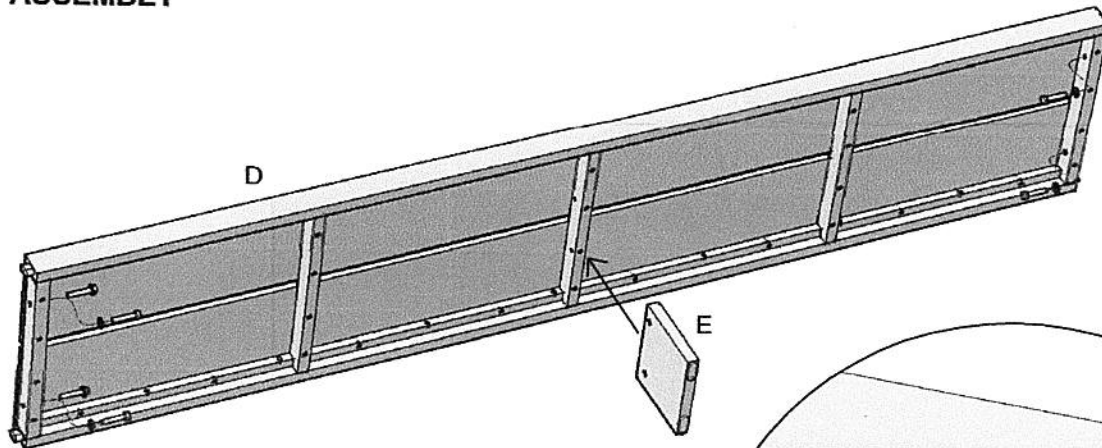
G (6X)



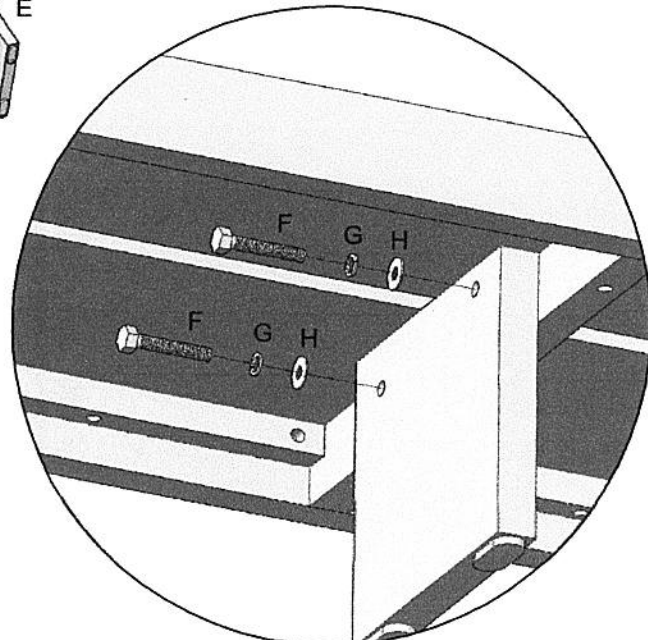
H (6X)



ASSEMBLY

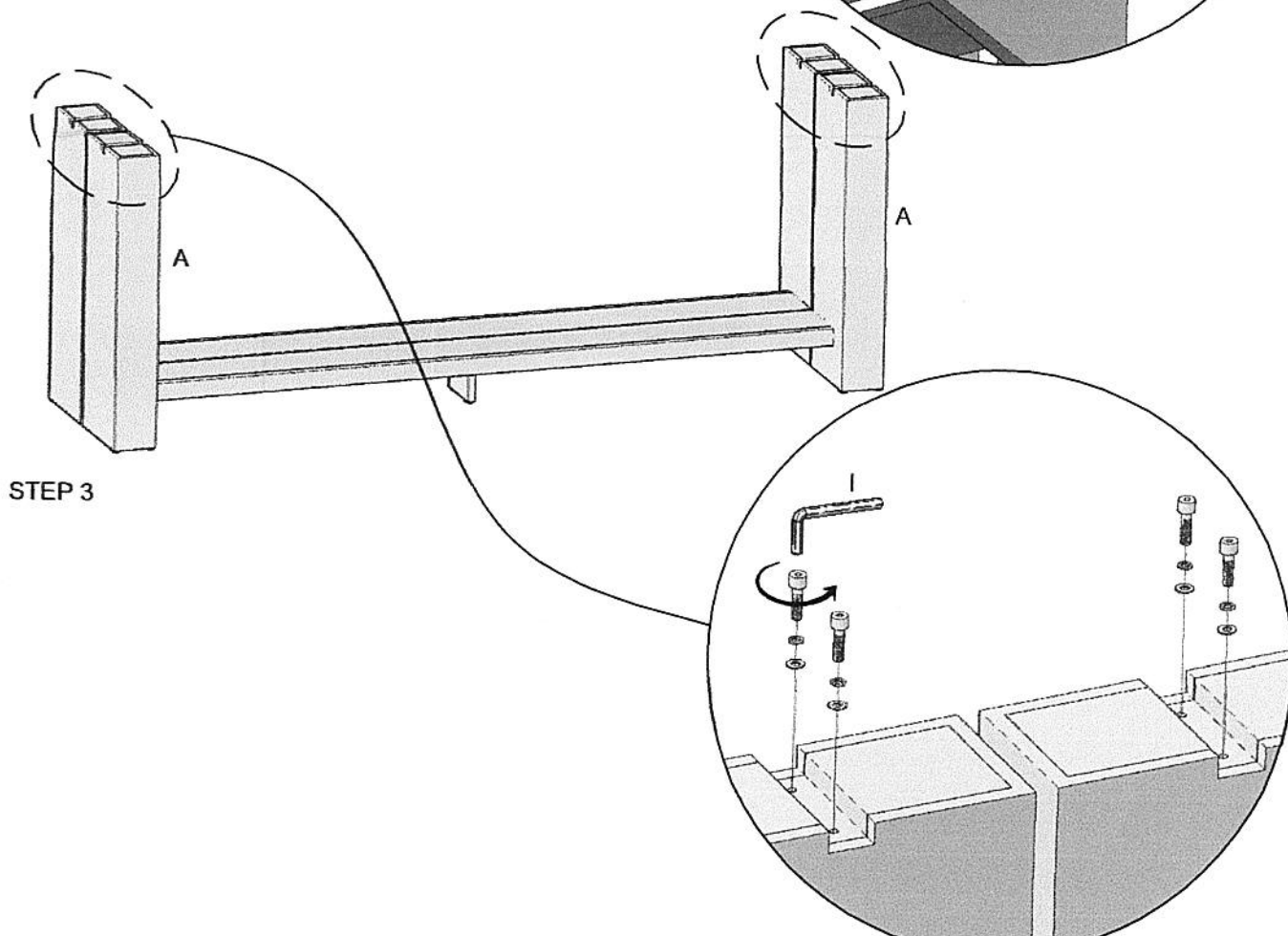
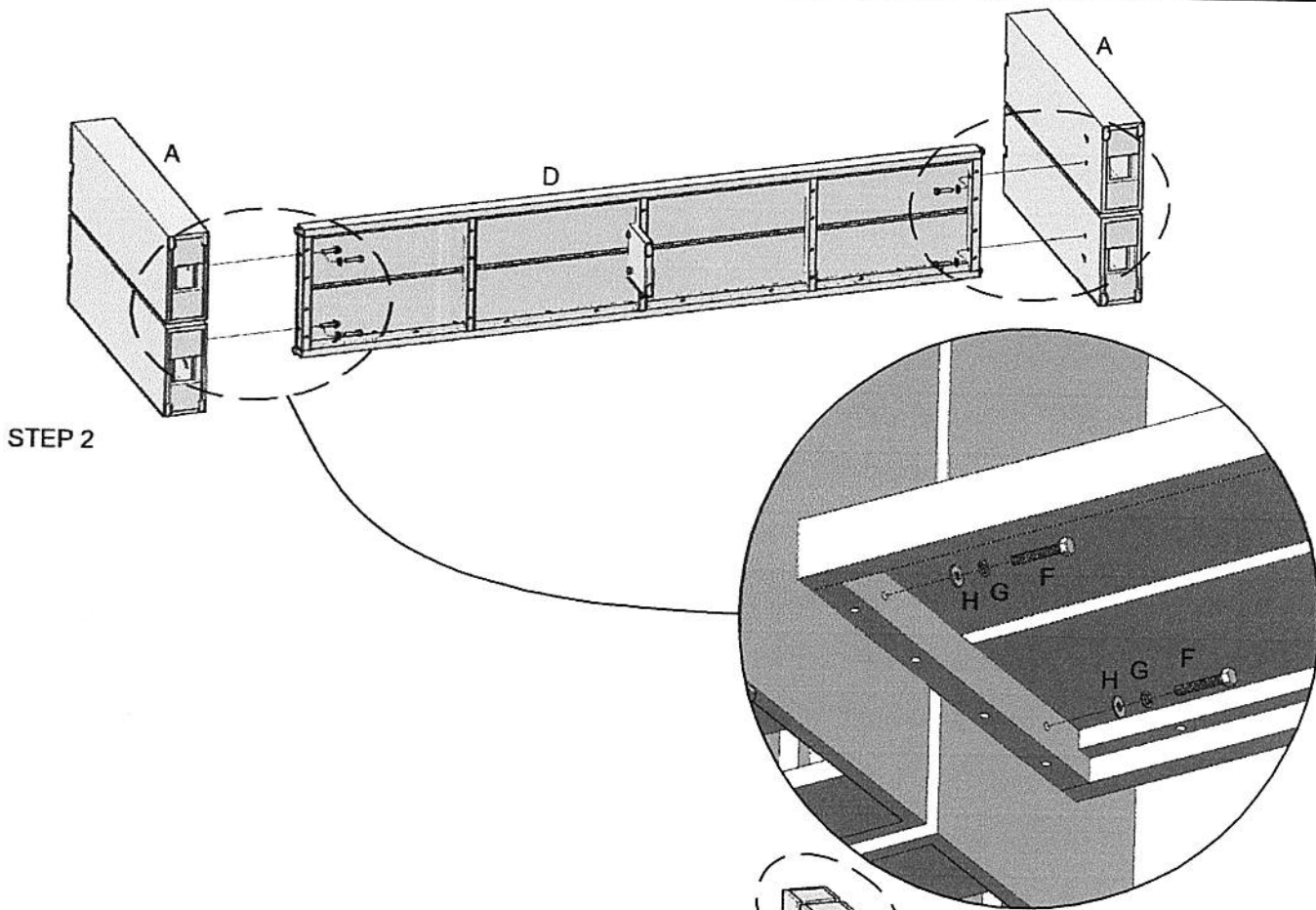


STEP 1



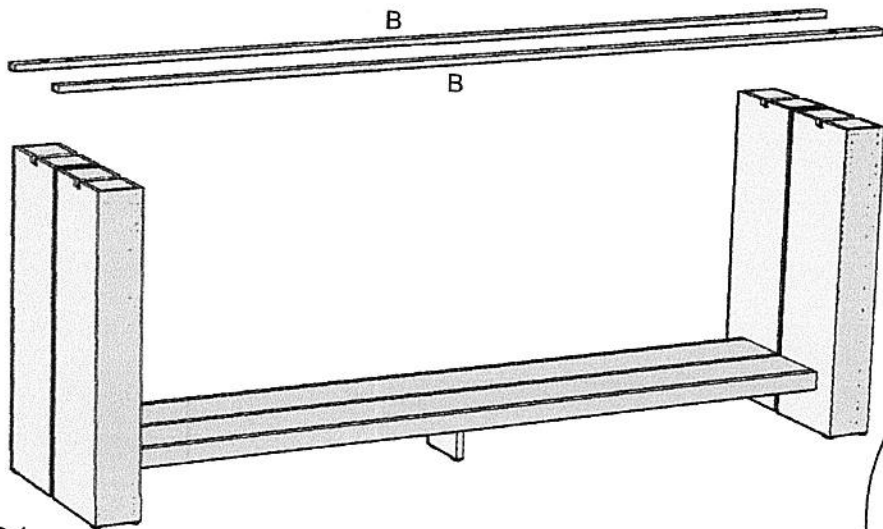
KABA BAR TABLE

ASSEMBLY INSTRUCTION

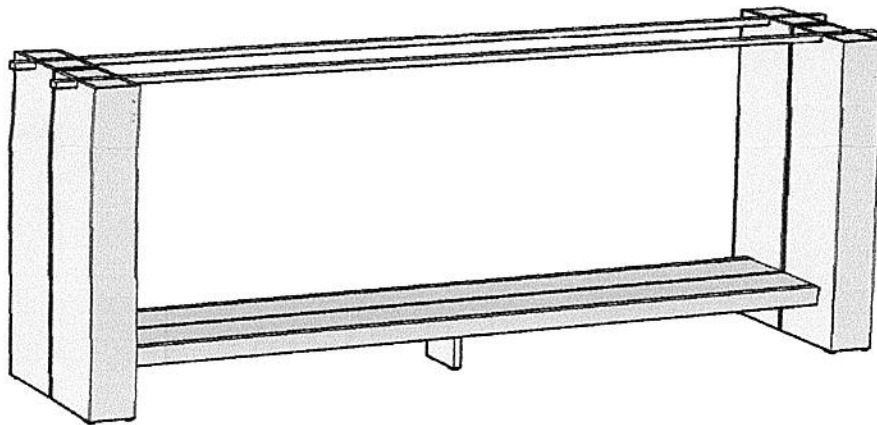
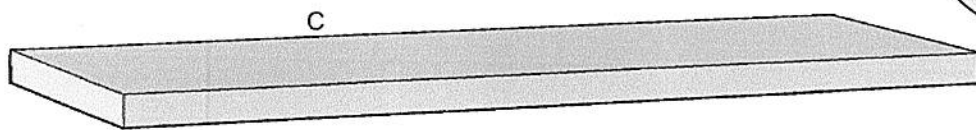


KABA BAR TABLE

ASSEMBLY INSTRUCTION



STEP 4



STEP 5

