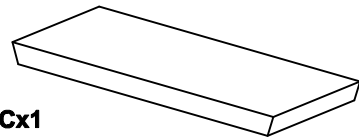
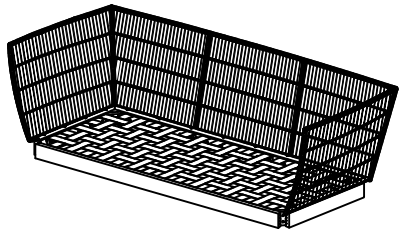
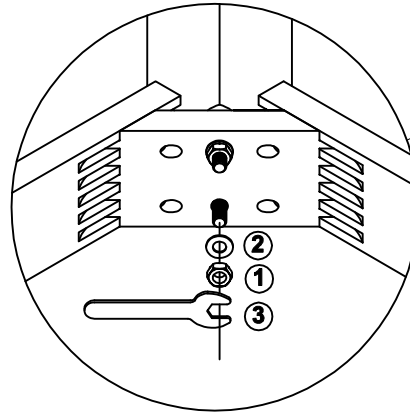
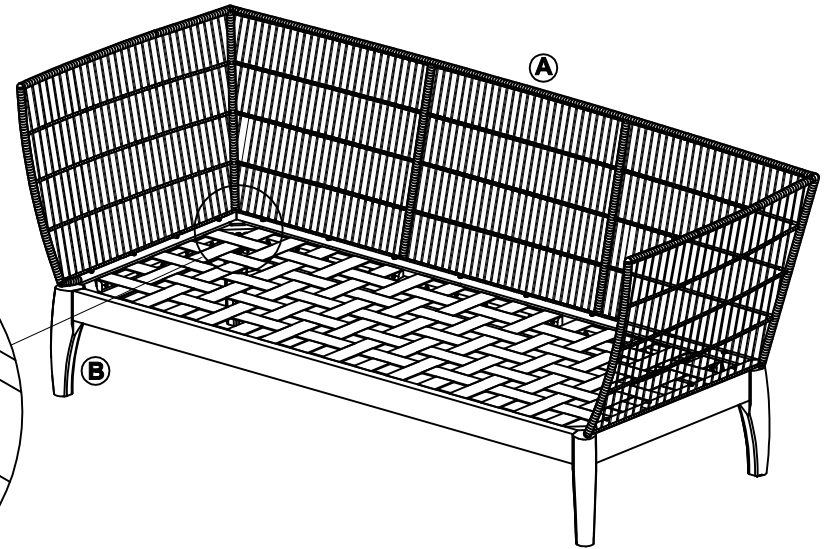
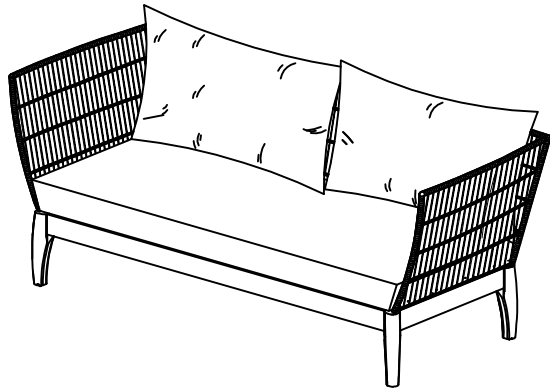




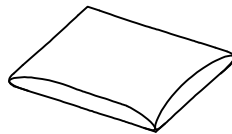
Wings Collection 3-Seat Sofa

Assembly Instructions



Cx1

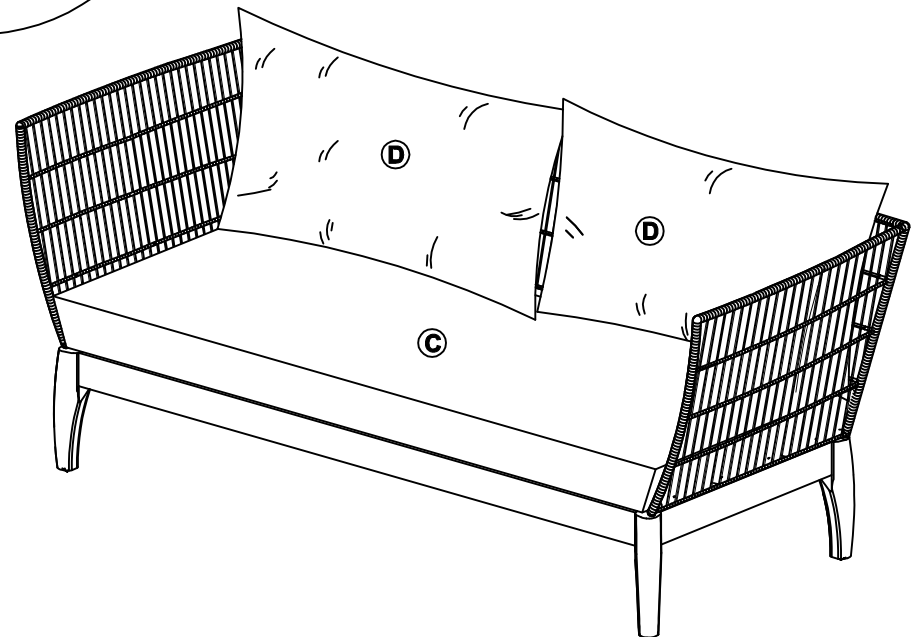
Ax1





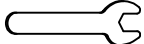
Dx2



Bx4



LIST OF HARDWARE

NO.	HARDWARE	QTY
1	Nuts 	8
2	Washers 	8
3	Spanner 	1