



SEASONAL LIVING®



2017
PERPETUAL
COLLECTION
PERPETUAL MESH LINK COLLECTION
LIGHT WEIGHT CONCRETE & COPPER PLATE PRODUCT CARE

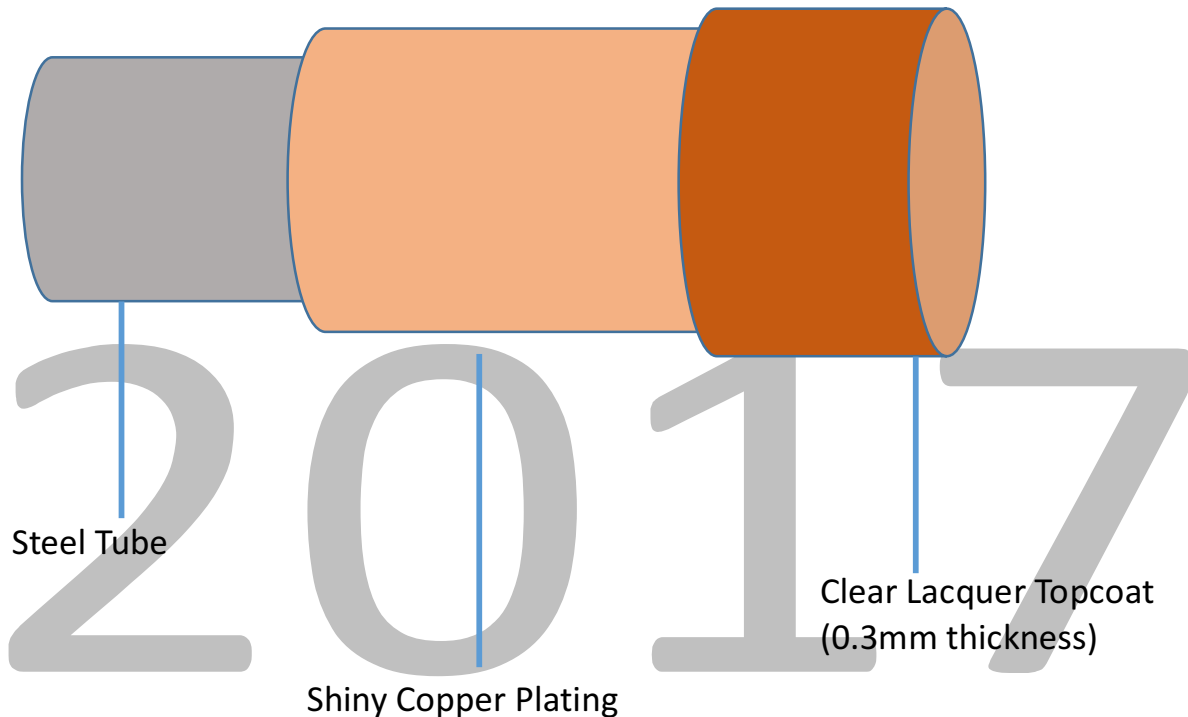
January 2017

**WE STRONGLY RECOMMEND USE OF HIGH QUALITY BREATHABLE
FURNITURE COVERS**

Our Perpetual Mesh Link Collection is a unique combination of light weight concrete (Read our Product Care Instructions on Perpetual Concrete) combined with fashionable copper plated steel. The copper plating adds an elegant enhancement to the Perpetual Concrete collection. The collection is suitable for indoor or outdoor use, but it is not frost proof, so be sure to follow Product Care Instructions for Perpetual Concrete items.

COPPER PLATED STEEL

Steel is one of the most produced and used materials worldwide. Copper plated steel is elegant, timeless and urban. By applying an additional layer of protection, the copper plated steel is suitable for indoor and outdoor use. The steel is fully plated by applying real copper metal and then an additional protective lacquer topcoat is applied – the application of the copper plate and the lacquer topcoat protects the steel from rusting.



Schematic is intended for illustrative purposes only and is not demonstrative of the actual manufacturing process.

In rare cases Copper plated steel can show verdigris. This is characteristic for copper, but can be removed (Read below)

The interior of the steel tube remains uncoated (due to technical reasons) however the plastic caps / glides on the base of the furniture provide a sealed environment to protect the steel from corrosion and penetration from water / other corrosive substances.

Be sure not to damage the outer protective clear lacquer topcoat as this may lead to corrosion of the steel frame.

CARE OF THE COPPER PLATED STEEL

To maintain and correctly care for your Perpetual Mesh Link products, regular maintenance of both the light weight concrete and the copper plated steel is essential. Be sure to routinely follow the following Product Care directions:

- Purchase and use a chamois cloth to regularly wipe over the copper plated steel frame (https://en.wikipedia.org/wiki/Chamois_leather)
- ONLY use non-abrasive soft liquid detergent - do not use any type of cleaning agent that will cause abrasion to the lacquer topcoat
- Rinse furniture thoroughly with clean water and wipe over frame with the chamois leather cloth and allow to dry naturally
- Do not use any form of oil based cleaner or sealers
- Do not place the furniture in wet areas or in any water pool
- During Winter (and during periods of non use), store the furniture in dry protected environments
- On a regular basis check the copper plated steel frame for scratches or damage to the plating (plan on doing this as part of your regular cleaning and maintenance)
- To remove verdigris, apply distilled vinegar to a clean soft cloth and gently buff the metal surface. The vinegar should remove most (if not all) the verdigris spots.

RESOLVING DAMAGE TO THE OUTER LACQUER TOPCOAT

In the event of damage to the outer topcoat (minor scratches or chips), the sooner that you act, the less chance there is to encounter corrosion from damage to the steel.

To resolve scratches to the surface:

Apply an outdoor clear coat varnish to the damage area(s)

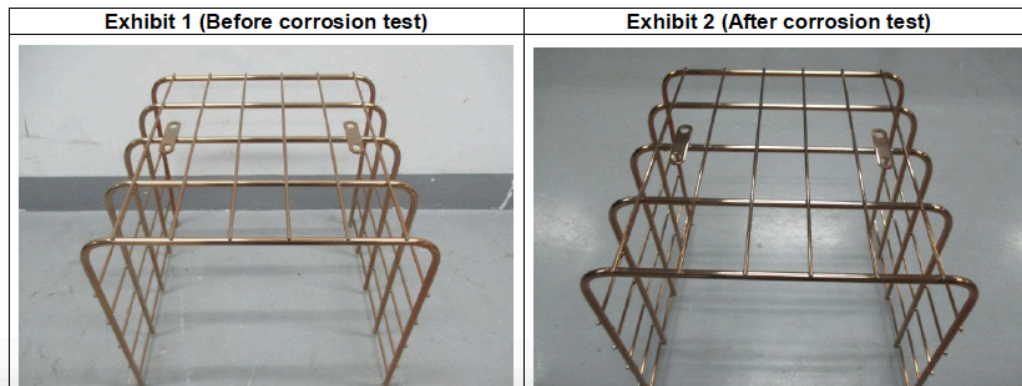
PRODUCT TESTING RESULTS FOR EXPOSURE TO SALT ENVIRONMENTS

EXECUTIVE SUMMARY:

TESTING RESULT SUMMARY				
Test Property	SAT Satisfactory	UNSAT Unsatisfactory	DATA	COMMENTS
Resistance To Corrosion	X	-	-	-

TEST RESULT:

Test item	Test method	Test requirement	Result
Resistance To Corrosion	ASTM B117 (Mod)	Withstand 24 hours in 1% salt spray (fog) with no major corrosion or visual change. Modification = 1% salt (fog) spray.	Pass No Visual Change (See exhibit photo)



HOW TO CARE FOR YOUR LIGHT WEIGHT CONCRETE

Our products are made from a combination of Portland Cement®, special hemp-like grass and natural sands. We do not include any resin and or fiberglass in any of our construction of any of these products. All products in this collection are totally biodegradable.

Follow these basic steps in assembling and protecting your product:

- 1) Be sure to read all assembly and related information, which is shipped with your product. DO NOT ASSEMBLE THE PRODUCT IN ANY MANNER OTHER THAN INTENDED BY THE MANUFACTURER. If you cannot locate your assembly instructions, please contact us for additional copies or visit our website at <http://www.seasonalliving.com/> and visit each specific product page for which you require assembly instructions.

- 2) Always seek the assistance of another physically capable adult to assist you in assembling your products. Never try to assemble products on your own, you may hurt yourself and damage / break your product.
- 3) Never use the product in a manner not intended e.g. do not stand, sit or jump on or off any table, never use any furniture as a ladder, doing so may cause injury and harm to you and to others around you as well as damage or break your product.
- 4) Use the item as described – a stool is for sitting on or using as an accent table, but a table is intended to be used ONLY as a table to support other items and NOT human weight.
- 5) When you receive your Perpetual Collection merchandise, we recommend that you immediately protect the surfaces of all concrete materials by following these simple instructions. Failure to do so will result in staining of the product and any claim against your product being void.

GREY CONCRETE PRODUCTS:

Remember: Concrete is a porous product and is prone to absorption of oils, acids and chemicals. Follow these steps to protect your product and maintain a good protective seal

YOU MUST USE EITHER A PRODUCT SUCH AS Johnston's FLOOR WAX OR OTHER WAX STONE SEALER OR USE THE LIQUID SEALER THAT SEASONAL LIVING SUPPLIES TO SEAL ALL OUTER SURFACES OF THE CONCRETE MATERIAL. IF YOU FAIL TO DO THIS, YOUR TABLE IS PRONE TO STAINING AND IS NOT WARRANTED BY OUR MANUFACTURER'S LIMITED WARRANTY – APPLICATION OF SALERS OR WAX DOES NOT GUARANTEE AGAINST STAINING, IT ONLY PROVIDES A LIMITED PERIOD OF TIME TO WIPE UP SPILLS OF FOODS, DIRT OR LIQUIDS. THE LONGER THAT THE FOOD, DIRECT OR LIQUID IS PERMITTED TO REMAIN ON THE PRODUCT, THE GREATER THE CHANCE OF PERMANENT STAINING.

Depending on where and how often you use your Perpetual Collection product, we recommend more regular sealing (especially for outdoor use or heavy soiling from acid based and or oil based foods and liquids at a minimum 3-4 times per year.

For stronger protection, we recommend that you seal the grey concrete with a stone floor wax sealer – apply liberally with a soft non abrasive cloth and working quickly rub the wax into the product – sometimes applying the wax with a pre moistened wet rag will help the wax be applied more easily. **DO NOT ALLOW THE WAX TO REMAIN ON THE CONCRETE SURFACE TO DRY AND HARDEN – THIS MAY DAMAGE THE SURFACE PATINA OF THE CONCRETE** – We recommend you work in sections, massage the wax in for a quarter or half of the product and then buff it to a nice luster or shine with another clean, soft dry cloth and then continue with the remainder of the product.

We recommend that you leave the product to absorb the waxed / buffed product for at least 4-5 hours. After this time, we recommend you use the sealing spray offered by Seasonal Living and spray or pour a reasonable amount of the sealer on to a cloth and working quickly coat all sides of your product. Allow the merchandise to dry fully for 24 hours before using. Finally, after 24 hours re-apply a light coat of the floor wax and buff to a low shine. Your table will now have a good base of protection but is not totally sealed. See below regarding spills.

FOR IVORY-WHITE CONCRETE PRODUCTS:

Remember: Concrete is a porous product and is prone to absorption of oils, acids and chemicals. Follow these steps to protect your product and maintain a good protective seal

WE RECOMMEND THAT FOR ALL IVORY-WHITE CONCRETE PRODUCTS YOU ONLY USE THE PROTECTIVE SEALING SPRAY PROVIDED BY SEASONAL LIVING AND IF YOU ARE ABLE TO OBTAIN A CLEAR OR CREAM BASED (NO DYES OR COLORS IN THE WAX OTHERWISE, THIS MAY STAIN YOUR PERPETUAL CONCRETE MERCHANDISE) WAX FOR APPLICATION TO STONE AND OR CONCRETE SURFACES.

Depending on where and how often you use your Perpetual Collection product, we recommend more regular sealing (especially for outdoor use or heavy soiling from acid based and or oil based foods and liquids at least 3-4 times per year.

For stronger protection, we recommend that you seal the ivory-white concrete with a no dye / color stone floor wax sealer (test this wax on an area that cannot be easily seen to make sure it does not stain the ivory- white concrete patina) – apply liberally with a soft

non-abrasive cloth and working quickly rub the wax into the product. DO NOT ALLOW THE WAX TO STAY ON, DRY AND HARDEN – THIS MAY DAMAGE THE PATINA OF THE CONCRETE – We recommend you work in sections, massage the wax in for a quarter or half of the product and then buff it to a nice luster or shine with another clean, soft dry cloth and then continue with the remainder of the product. We then recommend that you leave the product to absorb the wax for at least 4-5 hours. After this time, we recommend you use the sealing spray offered by Seasonal Living and spray or pour a reasonable amount of the sealer on to a cloth and working quickly coat all sides of your product. Allow the merchandise to dry fully for 24 hours before using. Finally, after 24 hours re-apply a light coat of the same floor wax and buff to a low shine. Your table will now have a good base of protection but is not totally sealed. See below regarding spills.

PROTECT AGAINST SPILLS AND NATURE

Because Concrete is a porous product, while your sealing efforts will provide a good barrier, you must still protect your merchandise by being vigilant and we recommend that you follow these steps:

- . A) If you spill any type of oil, grease, staining and or acidic-based juice or sauce (e.g. tomato sauce, lemon juice, vinegars etc.), wipe it up immediately. Do not allow the liquid to remain on the surface of the product. Concrete by its pure nature is a natural product and as such is prone to absorption. Act immediately and you will be able to enjoy your furniture for years.
- . B) When not using the product (e.g. furniture) we recommend that you protect the surface by using a professional grade furniture cover. This will help to ward off stains from trees, pollen, bird or other animal urine or fecal matter. Contact Seasonal Living for recommendations on covers.
- . C) If you live by the ocean or a salt-water environment, do not allow salt spray to build up on your product. Wipe it off or hose it down on a regular basis. Salt can corrode your concrete product. Remember to regularly seal the product for more protection.

CUSHIONS AND CUSHION COVERS

The Perpetual Mesh Link Collection includes fast-dry foam cushion cores with Sunproof® olefin fabric cushion covers (for the Lounge chair)

Sunproof fabrics are premium quality outdoor fabrics which provide care-free use of outdoor fabrics. The Sunproof collection of fabrics are high-performance against natural outdoor weather environments and meet ASTM G53-96 American Standards.

ALL SUNPROOF FABRICS HAVE PASSED STRINGENT TESTING ACCORDING TO BRITISH AND OTHER INTERNATIONAL STANDARDS. These tests include but are not limited to: Color fastness to light, to rubbing to chlorinated pool water, water repellency, soil & stain repellency and antibacterial, anti-mildew and UV resistance.

SUNPROOF IS OKKO-TEX CERTIFIED AND 100% RECYCLABLE

Sunproof is committed to producing an environmentally sustainable product and all of their facilities have been certified for the environmentally friendly standards – ISO 14001. Sunproof is a reliable material and is widely distributed around the globe

CARING FOR SUNPROOF FABRIC CUSHION COVERS

Fabric Care Guidelines

Machine wash in luke warm water (up to 40 degrees Celsius / 100 degrees Fahrenheit) on the gentle cycle

Color bleach can be added

Tumble dry, low permanent press

Iron at a low temperature (Low = 110F / 230C)

Do NOT Dry clean Sunproof fabrics

*SEASONAL LIVING – PERPETUAL MESH LINK COLLECTION - PRODUCT CARE –
JANUARY 2017*